
A/C AIR LAUNCHER™

Operating Instructions



P/N 101050 (120 VAC)

P/N 101051 (230 VAC)

Thank you for purchasing this A/C AIR LAUNCHER™

- **As you will notice from the table of contents, the manual for your new product is quite extensive.**
- **To guarantee perfect and successful work with this machine, please take some time to read the manual carefully.**
- **And finally, we believe you will enjoy years of great effects if you care for and maintain your A/C AIR LAUNCHER™.**

**CITC
1420 80TH SW #D
EVERETT, WA 98203
(888) 786-CITC
www.citcfx.com**

Contents

1. Set of Equipment Supplied	3
2. Accessories and Parts	3
3. Confetti Products	3
4. Description	4
5. Safety Instructions	4
6. Operating the A/C AIR LAUNCHER™	5
6.1 Assembly	
6.2 Loading	
6.3 Optional backpressure cap	
6.4 Pressurizing the tank	
6.5 Firing the A/C Air Launcher™	
6.6 Troubleshooting	
7. Service and Maintenance	7
8. Technical Data	7
9. Limited Warranty Conditions	8

1. Set of Equipment Supplied

- 1 A/C AIR LAUNCHER™ (120VAC: P/N 101050; 230VAC P/N 101051)
- Instruction booklet

2. Accessories and Parts

- Spare 2" (5cm) Barrel P/N 350020
- DMX FX-15 Switchpack 120 VAC, 15A relay P/N 250051, *or*
- DMX FX-15 Switchpack 230 VAC, 8A relay P/N 250052
- Wireless Remote RF 120VAC, 15A 13ch P/N 250010
- Roll of 1.5" (3.8cm) black Masking Tape (P/N 350075)
- One dozen 2" (5cm) Push Caps n' Cups set (P/N 350145)

3. Confetti Products

Also check our catalog or website (www.citcfx.com) for a complete selection of confetti and streamer products

CONFETTI - SPEED LOAD

Confetti stacked in 1" x 18" (2.5cm x 46cm) soft-sleeve. Just slide in then pull sleeve
Multi-color mix or Solid colors in stock. Custom mix by request.

Tissue Confetti - Multicolor or solid colors; 5/8" x 2 1/4" (1.6cm x 5.7cm) (P/N 255501)

Mylar-Tissue Confetti - Silver or gold Mylar & color tissue 5/8"x 2 1/4" (1.6cm x 5.7cm)
(P/N 255651)

STREAMERS - SPEED LOAD

FlameProof, Biodegradeable Tissue Paper & Mylar 1" x 20" (2.5cm x 51cm) soft-sleeve for quick loading of your cannons (slide in then remove sleeve - no packing)

Tissue Streamer - 1/2" x 30' (1.3cm x 9.1m) (P/N 255700)

Mylar Streamers w/ Tissue Streamer-Silver or Gold Mylar & White tissue
or rainbow mylar w/ tissue (P/N 255800)

BULK/BAGGED CONFETTI & STREAMERS

Long-Flying Tissue Confetti – Single colors or mix (P/N 255075)

Mylar - Gold, silver & rainbow confetti (P/N 255110)

Special Orders: Most products are available in single colors or stock mixes. Additional time and/or charges may apply for custom orders or custom mixes.

Please check whether all the products you ordered are supplied.

4. Description of the A/C AIR LAUNCHER™

The user has the ability to produce a spectacular simulated fireworks display, outdoors, without the risk of fire! When loaded properly, this device will safely propel tissue streamers and/or tissue (not paper) confetti to distances of up to 100' in the air! The end result resembles a cascading display of daytime firework-like effects. Note: due to wind resistance and low weight, confetti will not travel as far as streamers. The included 7-gallon air tank must be filled from an air compressor or be connected into a constant replenishing CO₂ air cylinder tank (available from your local gas supplier), eliminating the need for manual refills. The CO₂ air tank makes it economically feasible to do continuous reloads and refills for places like circuses or theme parks. The A/C Air Launcher™ features a built-in safety release, two types of filling valves, a pressure gauge, and an electric release solenoid valve (1/2" high-volume type). The launcher fires as soon as it is plugged in, or if connected to an electrical switchbox, as soon as it is switched on. Launcher comes with a 24VAC solenoid valve and 120VAC/240VAC, 24V transformer.

5. Safety instructions

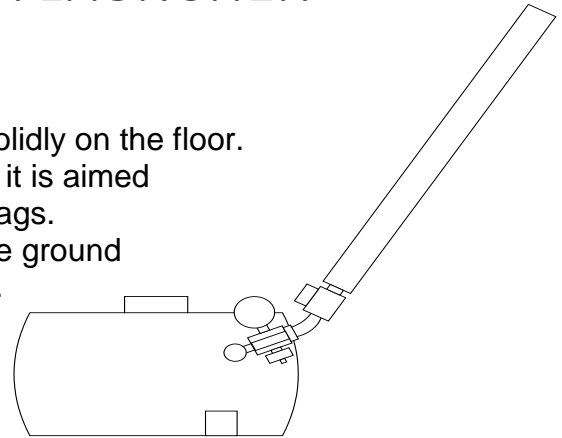
WARNING: Read and understand all labels and operating instructions before attempting installation.

- Inspect all equipment and barrel before use. Do not use if barrel is cracked or chipped.
- Be sure area around launcher is dry before applying electrical power.
- Never point the muzzle directly at anyone or look over the barrel when pressurized and loaded.
- Secure the launcher so that it will not be moved after it is aimed.
- Use a safety cable if the launcher is rigged above ground.
- When using, keep away from spectators and always aim straight up over everyone's head
- **WARNING!** Never use a confetti-launching product if there are open flames present.
- Use only tissue-type confetti or streamers that are flame retardant as sold by CITC.
- Never use paper dots or heavy paper confetti.
- **Pressurize up to maximum 100 PSI (6.9 bar) only!**

6. Operating the A/C AIR LAUNCHER™

6.1 Assembly

- Secure a good location for the machine to rest solidly on the floor.
- Secure the launcher so it will not be moved after it is aimed
- Anchor as needed with straps, screws, or sandbags.
- Use a safety cable if the launcher is rigged above ground
- Install the 2" (5cm) barrel on the valve assembly.



6.2 Loading

- If you power the transformer, the solenoid immediately releases the air. Always be sure your power is off before loading and pressurizing. As soon as you plug it in, it will fire.
- It is a good practice to test the solenoid valve with a charge of air before loading the barrel.
- Optional lifting cup: for 2" (5cm) barrel loading style, insert a foam plug (lifting cup) by pushing the entire foam disk down the barrel to the bottom. You may need to squeeze the bottom of the disk to make it fit. If lifting cups are unavailable, use paper wadding. The lifting cup acts as a bottom expanding sealer, making the device more powerful. This ejects your streamers for a longer distance. Now you are ready to load product on top of the lifting cup. Hard press, packing is not necessary.
- Indoors: We recommend a minimum of 60 rolls of 30' streamers. The more you include, the more spectacular the effect! If your budget allows, using 120 rolls looks great. If you want an unbelievable effect, use 240 rolls! You may fill the unit to the top if you wish or just load it to ½ full.
- Outdoors or large arenas: the bigger and heavier streamers will travel further. For the highest altitude and the best visual effect, load at least 36 of the 30' streamers. Warning: sudden cross gusts of wind and trees can be your enemy! We have found the best visual effects when each device is loaded with the same style or type of product.

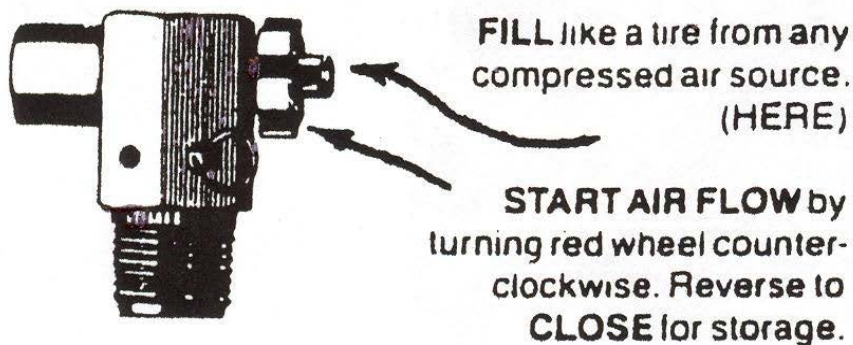
6.3 Optional backpressure cap

- A backpressure cap can also be installed over the end of the barrel to improve performance. If the distance isn't far, a backpressure cap is not needed. For smaller loads, backpressure caps may be needed for added backpressure. If firing on low pressure, the 2" (5cm) cap needs 1 – ½ rounds of black tape around the end of the barrel. This causes a pop and develops backpressure for further launch.
- Installing the cap: Slip the cap over and snug it down. With masking tape, neatly tape 1 ½ turns around the side of the barrel and cap. After taping, roll your hand around the tape pressing down to form an airtight seal. This will cause the backpressure to increase when fired and blow the lid off, expelling the contents under greater pressure. Do not tape over the top of the cap.

- Note: the lifting cups are sometimes reusable if you can find them, however the backpressure caps may need replacing if they tear when blown off.

6.4 Pressurizing the tank

- Fill tank from your own air source. Use an air compressor capable of up to 100 PSI, a tank of compressed air, or even a tire pump. For the most refills of air, use CO₂ with a regulator. Pressurize at 80 – 100 PSI (5.5 – 6.9 bar) only! The CO₂ tank should only be turned on when it is time to fire the launcher. You could, in a jam, pressurize the tank with a tire pump with a tire air fitting. See the valve illustration below.



6.5 Firing the A/C Air Launcher™

Do not plug into power until finished reading these instructions. This unit is equipped with a 120VAC/240VAC, 24VAC transformer (P/N 600670) to actuate the solenoid and this will release the air pressure. Plug the transformer into the corresponding outlet that is controlled with an off/on switch. The solenoid valve opens if there is power to the transformer, so always have the switch “off” until ready to shoot the product into the air.

Use of a momentary switch is recommended to help save pressure for the next shot. If you use a regular switch or simply plug it into the wall, you'll release all of the pressure in the tank. (With a momentary, it is possible to get two shots out of the air tank before refilling).

When the launcher releases the air, it may make noise as the escaping air moves through the release valve. This is normal. If the unit is to be used in a quiet environment, locate it in an area that will create the least amount of disruption.

6.6 Troubleshooting

1. **If you plug in the transformer, the solenoid immediately releases the air.** Always be sure your power is off before loading and pressurizing. As soon as you plug it in, it will fire.
2. **Air is leaking and won't hold pressure:** Check all connections with soap and water and tighten as necessary.
3. **Even at 100 PSI (6.9 bar) pressure, the confetti doesn't launch.** You have packed it too tight. Do not pack tightly. Only the push cup should be shoved to the bottom. Add confetti or streamers with a light pack. Never use paper dots. Always use fire retardant lightweight tissue-type confetti or streamers.

7. Service and Maintenance

Care of your A/C AIR LAUNCHER™ will give you years of service

- It is a good practice to test the solenoid valve with a charge of air before loading the barrel.
- When finished with use:
 - Remove and inspect barrel for cracks
 - Check that cord is in good condition, not pinched or broken.

8. Technical Data

A/C Air Launcher™ Technical Data P/N 101050 (230VAC P/N 101051)	
Dimensions	Assembled: 35" x 34" x 14" (89 cm x 86 cm x 36 cm)
Weight	20 lb (9 kg)
Shipping Weight	27 lb (12.25 kg)
Shipping Box Size	24" x 17" x 20" (61 cm x 43 cm x 51 cm)
Distance	Streamers: 100 ft (30.5m) Confetti: 50 – 60 ft (15m – 18m)
Barrel	2" x 24" (5 cm x 60 cm)
Solenoid Valve	¾" (1.9cm), 24 VAC/0.7 A with 120VAC/230VAC Transformer
Air fittings	Quick-Disconnect, tire valve, pressure relief, pressure gauge
Working pressure	80 -100 PSI (5.5 - 6.9 bar)
Actuation	Power on (or optional switch)
DMX	Optional Universal DMX
Electrical Supply	120 VAC, 0.2 A, 60 Hz (or 230 VAC, 0.1 A, 50 Hz)
Limited Warranty	One year

Rev: 01/28/18

9. One Year Limited Warranty Conditions

Model: _____ Purchased on (date): _____

Serial number: _____ Purchased from: _____

Congratulations!

You can now look forward to many years of reliable operation and outstanding performance. Thank you for making CITC your personal choice in special effects equipment. Please take a moment to **fill out the top of this warranty**, and then keep it – with the receipt – in a safe place.

If you would like to receive information about specials, sales, and new products, please log on to www.citcfx.com and click on the “Contact Us” link.

We appreciate your business, and wish to provide you with a quality product that will serve you for many years to come. Once again, thank you for choosing CITC, and enjoy your new entertainment product!

LIMITED WARRANTY CONDITIONS

This limited warranty guarantees to the original purchaser that this product shall be free of defects in material and workmanship, under normal use, for a period of one year from the date of purchase shown on the sales receipt. This warranty covers parts and labor providing the product is returned to CITC in the original shipping carton and packaging. The warranty for electrical is a (90) NINETY DAY limited warranty.

Damage resulting from shipping, accidents, misuse, negligence, unauthorized repairs or modification is not covered by this warranty. Using any fluid other than what is recommended for this machine will void warranty. No liability is accepted for injury or for loss, damage or expense resulting from any interruption whatsoever in the operation of the product or from any consequential loss arising there from. No liability is accepted for normal wear and tear.

We wish to satisfy YOU, our customer, and have implemented many measures to prevent problems and assure customer satisfaction. However, should you need a missing part or have a functional problem with your product, please call:

(888) 786-CITC, from 7:30 am – 4:00 pm (Pacific Time), Monday – Friday, except for holidays. Our customer service department will respond to your problems immediately.

Subject to the following conditions, CITC will repair any defect or fault in the unit if it is caused by a proven factory defect within one year of delivery to the end user.

Insignificant deviations of the regular product quality does not guarantee replacement rights, nor do faults or defects caused by water, by generally abnormal environment conditions or Force Majeure:

1. Faulty parts or equipment will be repaired or replaced (manufacturer’s choice) with correct parts. Faulty units must be shipped to CITC at customer’s expense. Call for an RMA# - AN RMA# MUST COME WITH THE UNIT. Payment arrangements for repair must be made before receiving your RMA#, in case the unit is not covered under this limited warranty.
2. Repairs/replacements will only be made with the approval of the customer.

3. Exposure to outside elements voids Warranty. Unit cannot be used outdoors or in wet weather without complete protection against the elements. Even then, high salty or humid conditions will cause instant corrosion of connectors and will void Warranty.
4. The customer loses all rights for limited warranty services if any repairs or adjustments are done to the units by unauthorized persons, and/or if spare parts are used, which are not approved by CITC. The right of limited warranty service is also lost if a fluid other than appropriate CITC fluid has been used or if units are sent in without first emptying the equipment of fluid.
5. Freight costs to and from CITC, when under the limited warranty services, are the responsibility of the customer. Customer must place appropriate insurance on return of product. However, if product is returned due to factory defect within the first year, CITC will cover the cost of returning the repaired unit to the customer.
6. Limited warranty services do not cause an extension of the limited warranty period or the start of a new limited warranty period. The warranty of replaced parts ends with the limited warranty period of the whole unit.
7. Further claims, especially for damages, losses etc. outside the unit are excluded.

Send unit to: CITC
RMA # XXXXXXXX
1420 80th St. SW #D
Everett, WA 98203



Tel: (888) 786-CITC or (425) 776-4950
Fax: (425) 776-5129
Website: www.citcfx.com
E-mail: info@citcfx.com



Find us on Facebook!
www.facebook.com/CITCFX

March 16, 2018